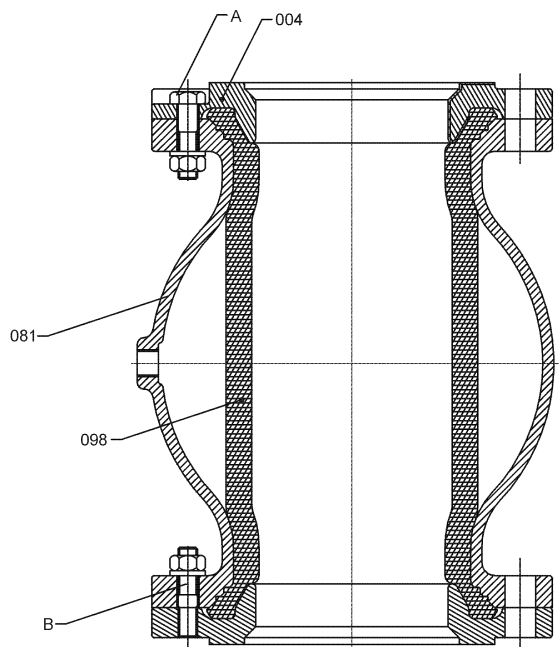


PIECES DE RECHANGE POUR VANNES A MANCHON A DEFORMATION ELASTIQUE SERIE "PIC" SPARE PARTS FOR SLEEVE ELASTIC DEFORMATION "PIC" RANGE VALVES

MAINTENANCE PREVENTIVE / PREVENTIVE MAINTENANCE

Repère Key	098			
Désignation Description	Manchon Sleeve			Outil de montage Assembly tool
Caractéristiques Characteristics	Gomme naturelle anti-abrasion Natural rubber abrasionproof	Néoprène Neoprene	Gomme non-toxique No-toxic rubber	
DN 40	0980054400	0980054200	0980054300	3050254000
DN 50	0980055400	0980055200	0980055300	3050254020
DN 65	0980055400	0980055200	0980055300	3050254020
DN 80	0980056400	0980056200	0980056300	3050254030
DN 100	0980057400	0980057200	0980057300	3050254040
DN 125	0980058400	0980058200	0980058300	3050254050
DN 150	0980059400	0980059200	0980059300	3050254060
DN 200	0980060400	0980060200	0980060300	3050254070
DN 250	0980374083			
DN 300	0980375083			



MAINTENANCE CORRECTIVE / CORRECTIVE MAINTENANCE

Repère Key	004				081	A	B
Désignation Description	Contre-bride Flange				Corps Valve body	Lot visserie Screws kit	
Caractéristiques Characteristics	Standard Standard	Néoprène Neoprene	Inox Stainless steel	Non-toxique no-toxic		[1]	[2]
DN 40	0040204001	0040265081	0040300016	0040265090	0810151001	3071150001	3071150008
DN 50	0040205001	0040266081	0040301016	0040266090	0810152001	3071150001	3071150008
DN 65	0040206001	0040267081	0040302016	0040267090	0810153001	3071150001	3071150008
DN 80	0040207001	0040268081	0040303016	0040268090	0810154001	3071150001	3071150008
DN 100	0040208001	0040269081	0040304016	0040269090	5681032062	3071150002	3071150009
DN 125	0040209001	0040270081	0040305016	0040270090	5681031062	3071150003	3071150009
DN 150	0040210001	0040271081	0040306016	0040271090	5681029062	3071150004	3071150010
DN 200	0040211001	0040272081	0040307016	0040272090	0810030062	3071150005	3071150011
DN 250	0040434001				0810229062	3071150006	
DN 300	0040435001				0810230062	3071150007	

[1] utilisé sur contre-bride standard, non-toxique et néoprène / used on standard, no-toxic and neoprene flange

[2] utilisé sur contre-bride inox / used on stainless steel flange

PIECES DE RECHANGE POUR VANNES A MANCHON A DEFORMATION ELASTIQUE SERIE "PIC"
SPARE PARTS FOR SLEEVE ELASTIC DEFORMATION "PIC" RANGE VALVES

Edition	Date	Par	Description
C	22/03/00	S.Favresse	Remplacement de la gomme alimentaire par la gomme non-toxique