

DOSING



DOSAPACK® S

Dosing system for preparation, storage and injection of reagent solutions.

SDM
DOSING AND MIXING
SYSTEMS

Providing Value to Technology

www.sdm-sistemas.com

PRINCIPAL CHARACTERISTICS

Personalised deposits of high density polyethylene manufactured by rotational moulding: very resistant to chemical aggressions.

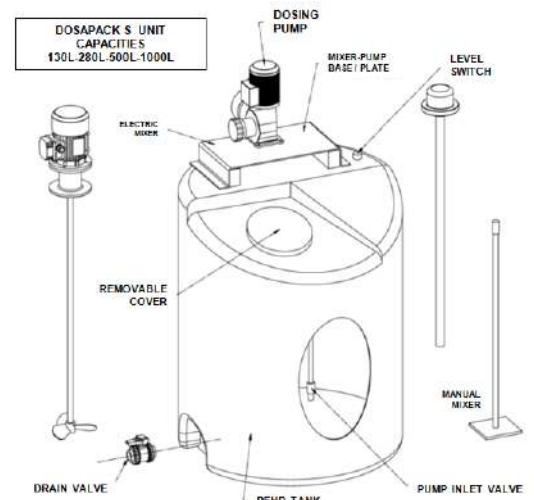
- ✓ Designed for correct preparation of reagents (thickness, banks, deflectors, etc.).
- ✓ Deposits treated with anti-UV additive.
- ✓ Wide range of volumes available.
- ✓ All deposits have a graded level.
- ✓ Maximum permitted work temperature: 60°C.
- ✓ Maximum load permitted at room temperature: 69 Kg (55Kg at 60°C).
- ✓ Plastic or metallic banks.
- ✓ Register and loading hatch.

OPTIONAL

- ✓ Dosing pump Milton Roy for loading or suction (for applications with polyelectrolytes or viscous liquids, it must be placed for loading).
- ✓ Fast and/slow agitators depending on the requirements of the process.
- ✓ Pneumatic level switch (high and/or low).
- ✓ Manual agitator available on request.
- ✓ Flexible pipe protector.
- ✓ Possibility of other special assemblies depending on the specification.
- ✓ Holding tanks for all volumes.
- ✓ Other accessories on request.

ACCESSORIES

- ✓ For certain Milton Roy G Series or LMI pump models, a full batch of accessories can be supplied: injection rod, foot valve with ballast and 6m of flexible pipe.
- ✓ All optional accessories for other models available on request.



Sample photo



Sample photo

CAPACITIES

ELECTRIC AGITATOR MILTON ROY				
MODEL	VOLUME (L)	FAST AGITATOR	SLOW AGITATOR	APPROX. LENGTH AXIS (mm)
DOSAPACK S130	130	HR1A-013/150/E0.25/A	HR4A-020/100/E0.37/A	700
		HR1A-013/150/E0.25/B*		
DOSAPACK S280	280	HR1A-013/150/E0.25/A	HR4A-020/100/E0.37/A	900
		HR1A-013/150/E0.25/B*		
DOSAPACK S500	500	HR1A-013/150/E0.25/A	HR4B-020/100/E0.37/A	1000
		HR1A-013/150/E0.25/B*		
DOSAPACK S1000	1000	HR1A-014/150/E0.75/D*	HR4A-035/150/E0.75/A	1300

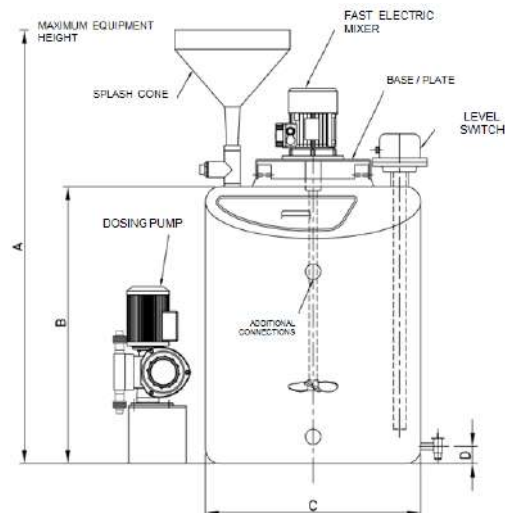
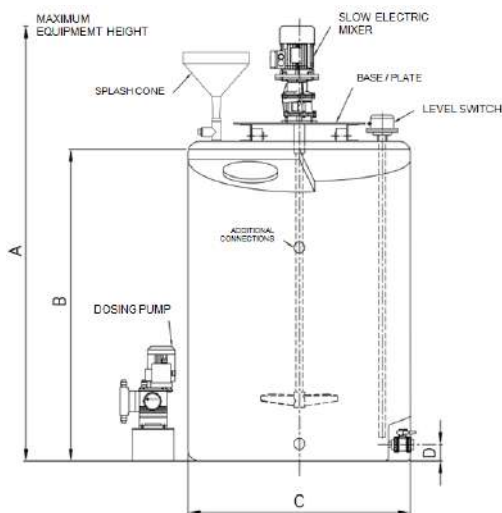
PNEUMATIC AGITATOR MILTON ROY			
MODEL	VOLUME (L)	FAST AGITATOR	APPROX. LENGTH AXIS (mm)
DOSAPACK S130	130/280	HR1A-010/150/N0.37/A	700
DOSAPACK S280		HR1A-010/150/N0.37/B*	
DOSAPACK S130	130/280/500	HR1A-013/150/N0.37/A HR1A-013/150/N0.37/D*	900
DOSAPACK S280			
DOSAPACK S500			

(* With guided bearing.

DIMENSIONS

- ✓ Drainage: diameter ¾" (for deposits of 130 and 280 l).
- ✓ Drainage: diameter 1" (for deposits of 500 and 1000 l).

MODEL	A	B	C	D
DOSAPACK S130	1150	720	560	45
DOSAPACK S280	1350	930	670	45
DOSAPACK S500	1500	1080	850	75
DOSAPACK S1000	2000	1425	1012	75



APPLICATIONS

- ✓ Preparation and injection of the products for water treatment and conditioning (e.g.: Bleaches, polyelectrolytes, lime milk, etc.).
- ✓ Injection of detergents and cleaning products.
- ✓ Surface treatments.
- ✓ Preparation of fertilising solutions.
- ✓ Various additives for all types of industries.

AGITATION IN THE PREPARATION OF REAGENTS

An adequate agitation is essential in the preparation of reagents for any type of process.

In the case that the agitator is placed centrally in a cylindrical tank, it is necessary to install three anti-rotation deflectors in said tank that are designed taking into account the structure of the tank, to:

- ✓ Avoid that the entire fluid mass, as a whole, turns around the axis.
- ✓ Avoid the vortex that may damage the agitator and introduce air to the product.
- ✓ Achieve correct agitation.

