



relief
backpressure
drain
vent
pressure measurement
pulsation dampening
flow indication

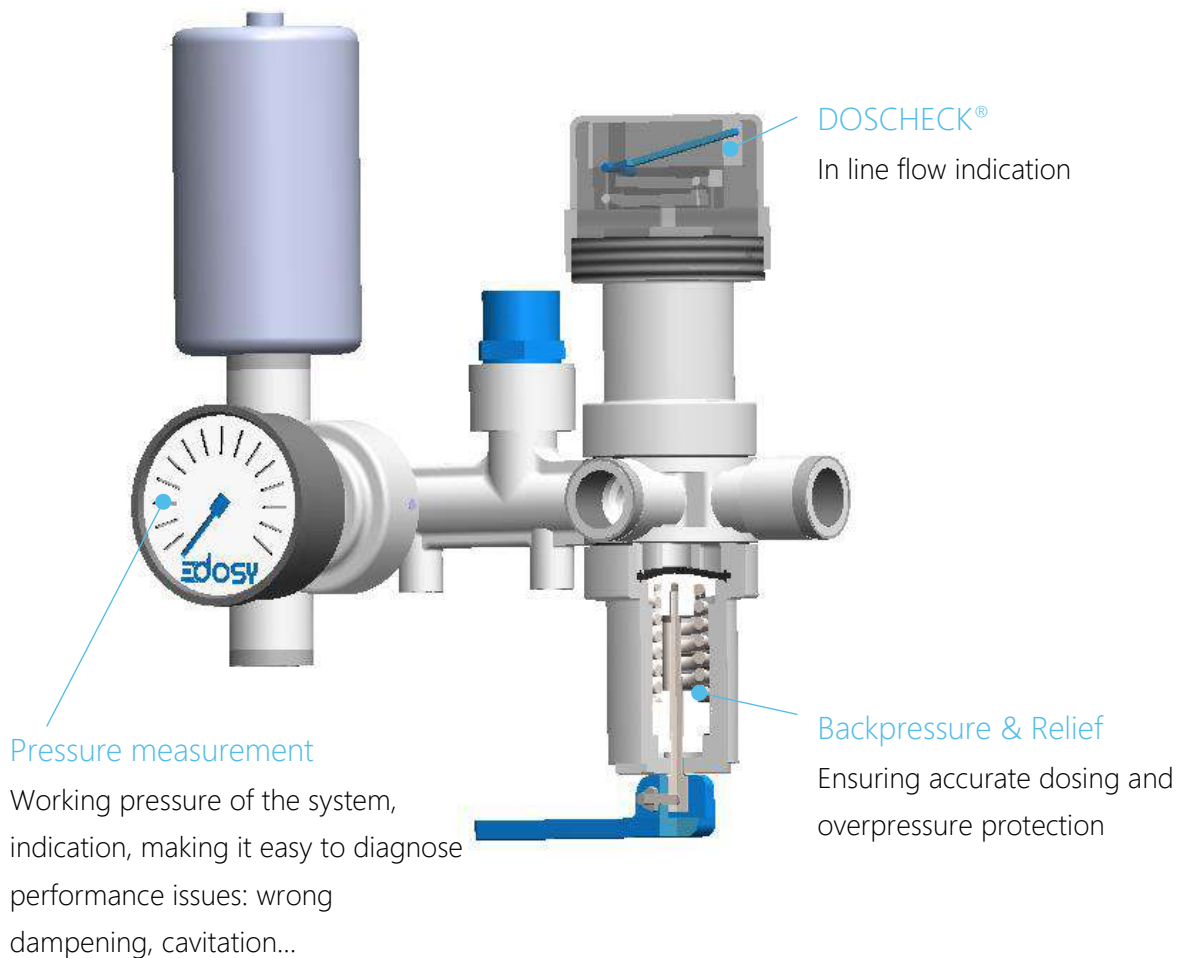
dosy

Technical features (5 fittings)

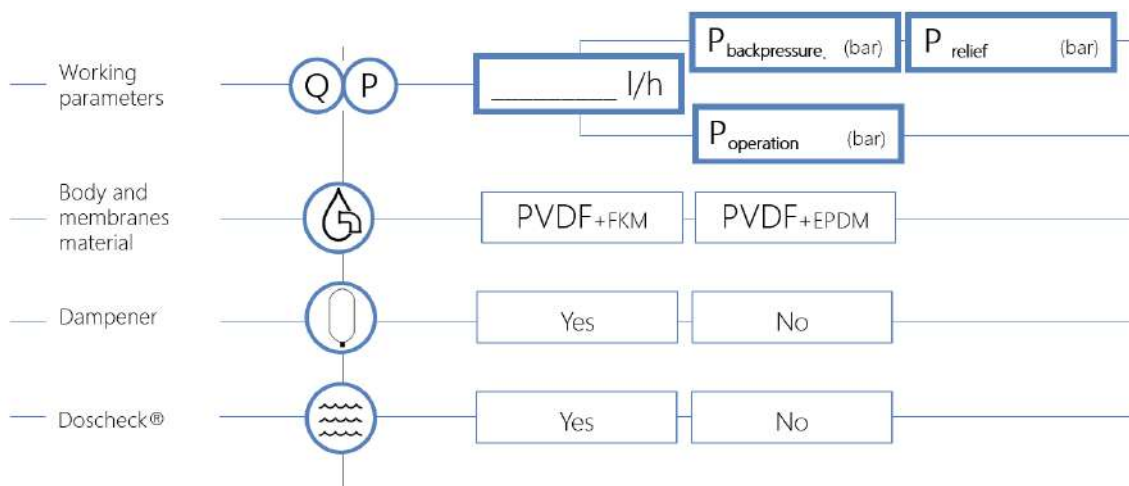
- Nominal Diameter DN15
- Flow rate up to 132 gph (500 l/h)
- Pressure measurement
- Relief function 0-174 psi (0-12 bar)
- Backpressure 0-58 psi (0-4 bar)
- Drain and vent

Extra fittings

- Flow checking by Doscheck®, visually showing the loss of prime of the pump
- Pulsation dampener



Selection guide



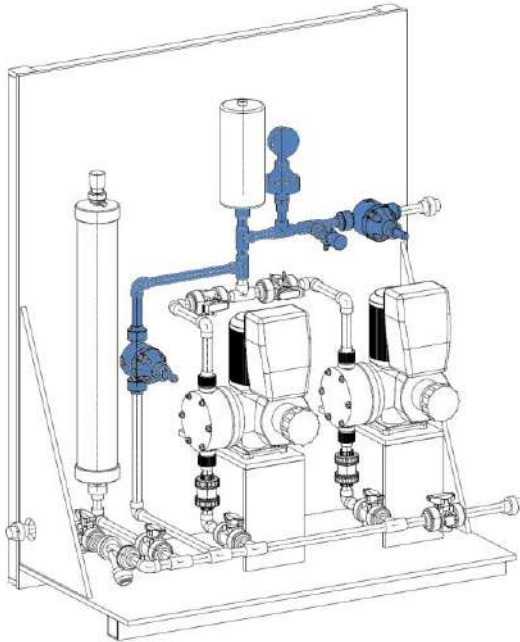
Recommended option by dosing chemical (see notes)

Type of fluid	Maximum concentration	PVDF	EPDM	FKM	
					+ Suitable <60°C
					- Not suitable
					°C Suitable up to T
Hydrochloric acid	37%	+	-	+	
Phosphoric acid	85%	+	-	+	
	<93%	+	-	+	
Sulfuric acid	93-98%	50°C	-	+	
	>98%	-	-	+	
Ferric chloride		+	+	+	
Sodium hydroxide (caustic soda)	50%	25°C	+	-	
Sodium hypochlorite	15%	+	-	+	
Hydrogen peroxide	<30%	+	-	+	
	30-90%	25°C	-	+	
Aluminum polychloride		+	+	+	
Polyelectrolyte		+	-	+	
Aluminum sulphate		+	+	+	

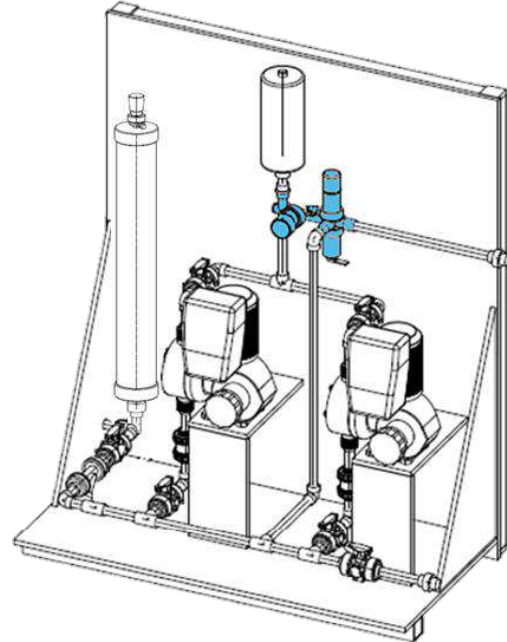
* Most common types of fluids are included in this table. In case of using a different one, contact ADI.

** These indications are the result of the combination of theoretical knowledge and experience and should be compared with the users' personal experience without exception. Resistance to corrosion is a function of several parameters such as chemical composition, temperature, mechanical characteristics, environment, ... Corrosive phenomena is very complex and each particular situation is different. If there could be any doubt, resistance tests should be carried out by user.

No commitment is implied by the following table, and in no case can claims under the guarantee and/or civil responsibility be based on its contents.



Standard system,
connecting elements one by one



System made using Edosy®,
7 fittings in just one product

Efficient dosing system

- + Leakage points reduction. 75% less
- + Simple assembly. Up to 50% less time needed to build a whole dosing system
- + Dosing process full control in line. Easy maintenance supported by control elements
- + Simplified purchasing process. 7 functions now fitted in 4 steps
- + Avoiding chemical waste. Accurate dosing at required pressure
- + Element for safety. Effective response in case of overpressure
- + Normalized design. According to ISO, DIN, ANSI, EN Directive 97/23/CE
- + Individually checked. Customized pressure set