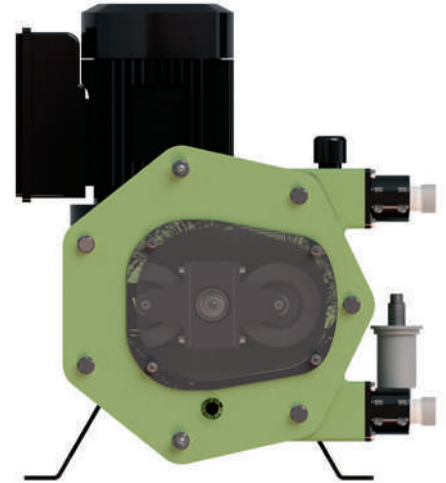


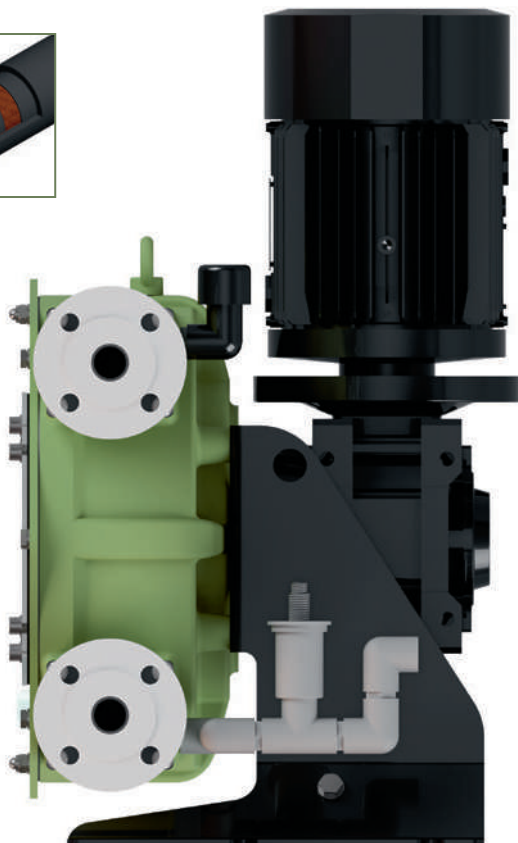
PERIBEST C21 DATASHEET

TECHNICAL SPECIFICATIONS	MODEL C21
Max. Flow (continuous)	1100 l/h
Capacity	0,227 l/rev
Max. Discharge Pressure	10 bar
Max. Temperature	80 °C
Inner Diameter	22 mm.
Hose material	NR, EPDM & Hypalon®
Connections material	AISI-316, PP, PVDF (PTFE)
Pump casing material	Alluminium Tefzel® coating



MAIN FEATURES AND BENEFITS

④



① THE BEST SOLUTION FOR DOSING AND TRANSFER ALL KIND OF ACIDS AND CORROSIVE PRODUCTS.

PUMP CASING AND FRONT COVER COATED IN TEFZEL® TOTALLY ANTICORROSIVE.

② HOSE LEAKAGE SENSOR AND DRAINAGE SYSTEM INCLUDED.

FLOAT LEVEL SENSOR, AND DRAINAGE SYSTEM TO AVOID ANY ACCUMULATION OF CORROSIVE PRODUCTS INSIDE THE PUMP CASING.

③ EXTREMELY HEAVY DUTY DESIGN FOR THE MOST DEMANDING APPLICATIONS UP TO 10 BAR.

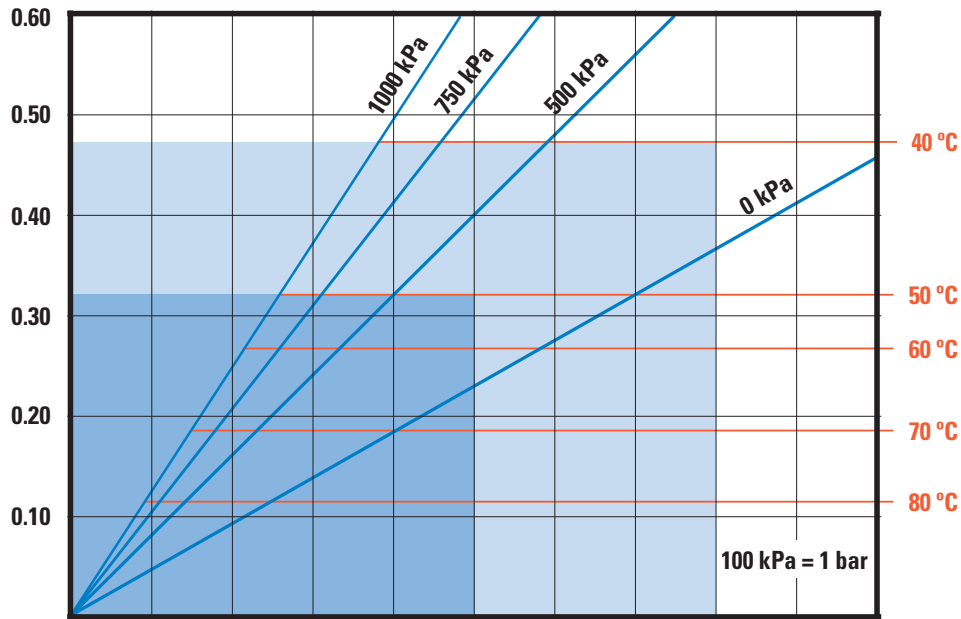
UNMATCHED PUMP LIFE AND EXCELLENT EQUIPMENT PERFORMANCE UNDER ANY OPERATING CONDITIONS HOWEVER DEMANDING.

④ LATEST TECHNOLOGY PERISTALTIC HOSE.

SAVING ON HOSE CONSUMPTION AND EASE OF INSTALLATION DOWNTIME OPTIMISATION.

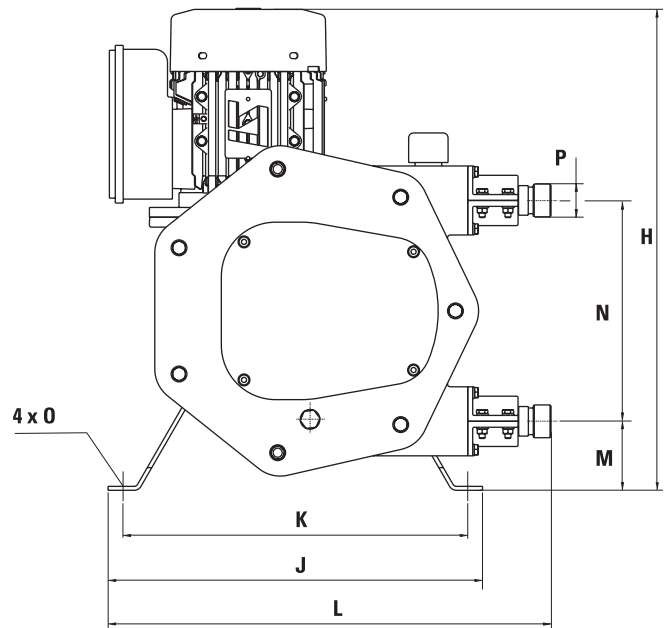
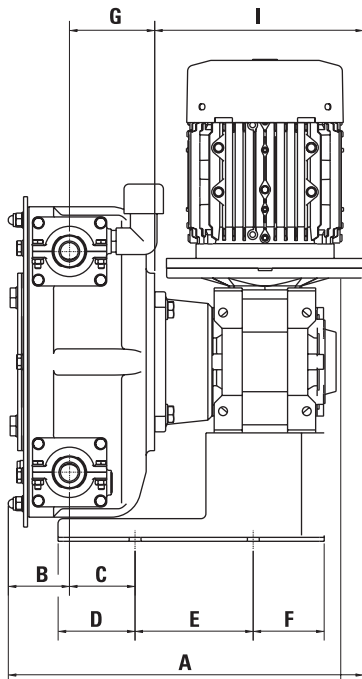
**REQUIRED
MOTOR POWER (KW)**

**PRODUCT
TEMPERATURE (°C)**



PUMP SPEED (RPM)	10	20	30	40	50	60	70	80	90	100
CAPACITY (L/H)	136	272	408	545	681	817	953	1090	1226	1362

PRESSURE (kPa)	0 kPa	500 kPa	750 kPa	1000 kPa
TORQUE (Nm)	45	75	100	120



MODEL	A*	B	C	D	E	F	G	H	I*	J	K	L	M	N	O	P
C21	360,6	62,1	66,5	78	120	72	86,5	488	212	380	350	449,5	70	224	12	BSP 1"

*Depending on the driver, dimensions could change.

www.peribest.com

Production Plant
PeriBest Pumps S.L.
 C/ Can Parellada, num. 26 Nave 10
 Pol. Ind. Sector H
 E-08170 Montornés del Vallés
Barcelona
 Tel. +34 935 992 214