

PERIBEST C28 DATASHEET

PERIBEST
pumps

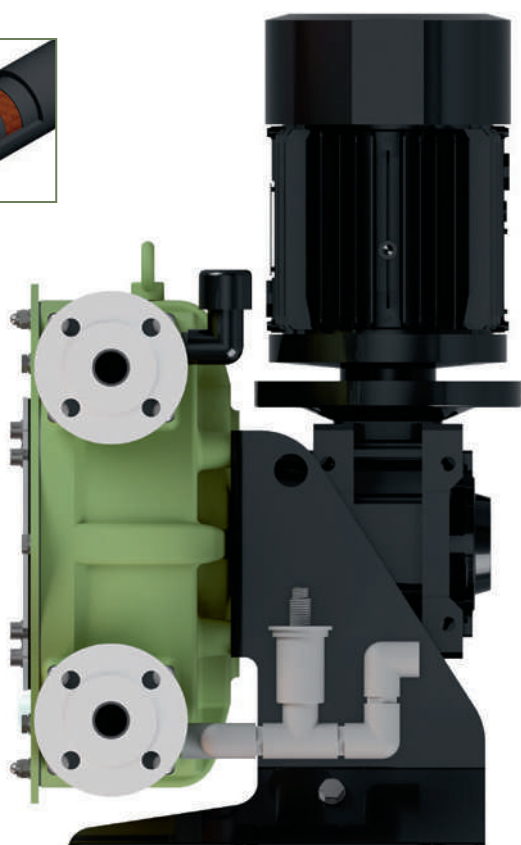


TECHNICAL SPECIFICATIONS	MODEL C28
Max. Flow (continuous)	1900 l/h
Capacity	0,47 l/rev
Max. Discharge Pressure	10 bar
Max. Temperature	80 °C
Inner Diameter	28 mm.
Hose material	NR, EPDM
Connections material	AISI-316, PP, PVDF (PTFE)
Pump casing material	Cast Iron Tefzel® coating



MAIN FEATURES AND BENEFITS

④



- ① THE BEST SOLUTION FOR DOSING AND TRANSFER ALL KIND OF ACIDS AND CORROSIVE PRODUCTS.

PUMP CASING AND FRONT COVER COATED IN TEFZEL® TOTALLY ANTICORROSIVE.

- ② HOSE LEAKAGE SENSOR AND DRAINAGE SYSTEM INCLUDED.

FLOAT LEVEL SENSOR, AND DRAINAGE SYSTEM TO AVOID ANY ACCUMULATION OF CORROSIVE PRODUCTS INSIDE THE PUMP CASING.

- ③ EXTREMELY HEAVY DUTY DESIGN FOR THE MOST DEMANDING APPLICATIONS UP TO 10 BAR.

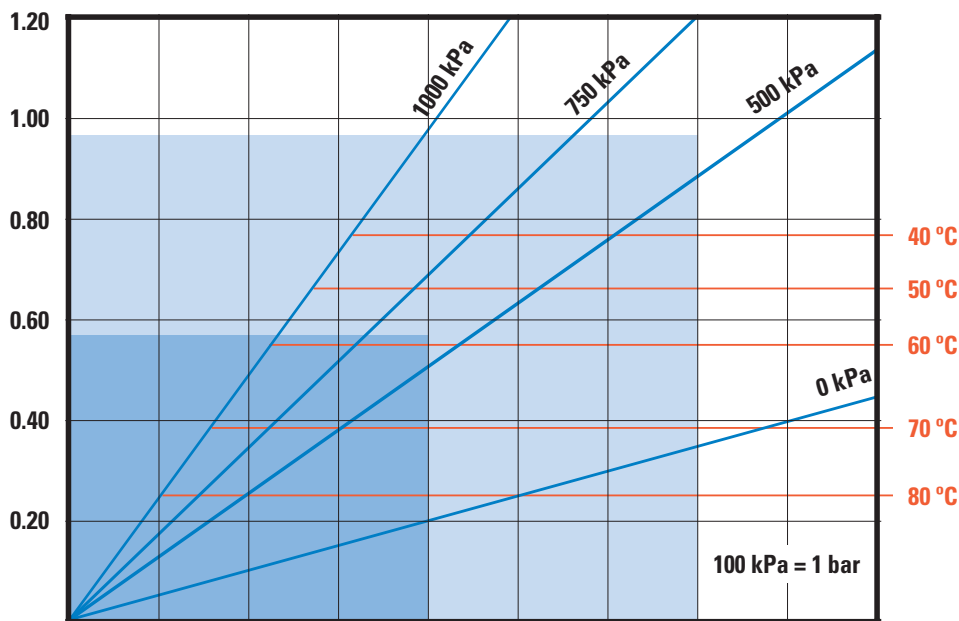
UNMATCHED PUMP LIFE AND EXCELLENT EQUIPMENT PERFORMANCE UNDER ANY OPERATING CONDITIONS HOWEVER DEMANDING.

- ④ LATEST TECHNOLOGY PERISTALTIC HOSE.

SAVING ON HOSE CONSUMPTION AND EASE OF INSTALLATION DOWNTIME OPTIMISATION.

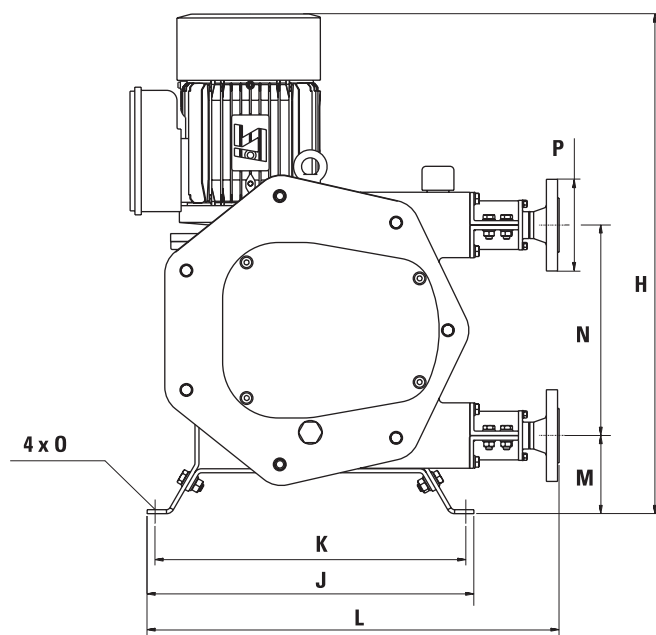
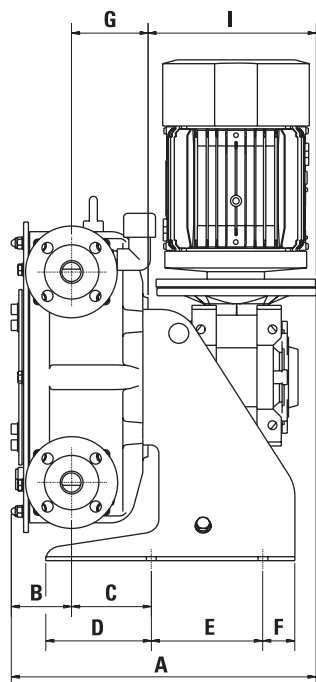
REQUIRED
MOTOR POWER (KW)

PRODUCT
TEMPERATURE (°C)



PUMP SPEED (RPM)	10	20	30	40	50	60	70	80	90
CAPACITY (L/H)	282	564	846	1128	1410	1692	1974	2256	2538

PRESSURE (kPa)	0 kPa	500 kPa	750 kPa	1000 kPa
TORQUE (Nm)	50	125	165	225



MODEL	A*	B	C	D	E	F	G	H	I*	J	K	L	M	N	O	P
C28	382,3	75,6	100	132,3	140	40	96	627	211	410	390	517	98	264	12	DN-25

*Depending on the driver, dimensions could change.

www.peribest.com

Production Plant
PeriBest Pumps S.L.
 C/ Can Parellada, num. 26 Nave 10
 Pol. Ind. Sector H
 E-08170 Montornés del Vallés
Barcelona
 Tel. +34 935 992 214