

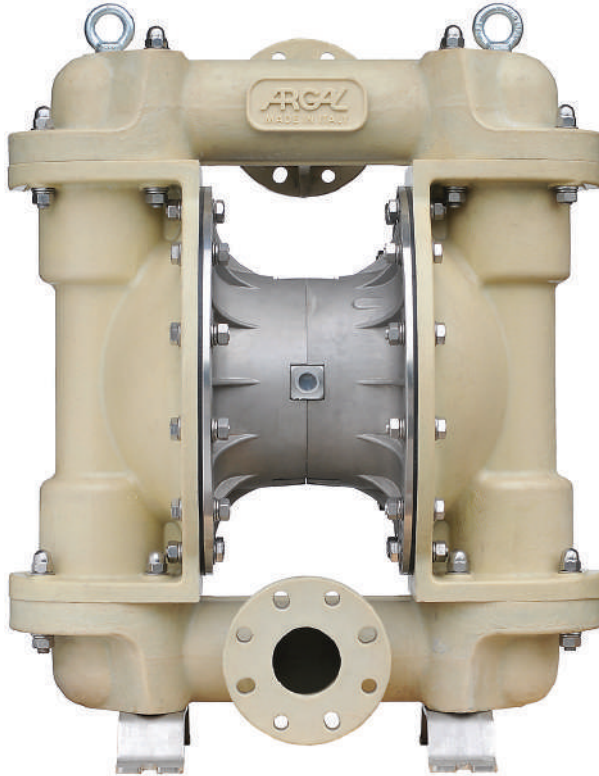


#BIGAODDPUMPS

AIRSATURN

300 • 400

WORLD FIRST



AIRSATURN range is the worldfirst AODD pumps realised in fiberglass (**FRP**) available in size 3" and 4". A unique product on the market to this date thanks to the **composite materials** used: **vinyl ester resin reinforced with long strands of fiberglass** moulded with the RTM technique. The AIRSATURN pumps offer many pluses from which:

- high chemical resistance (the highest amongst resins and polyesters)
- mechanical strength comparable to some metal alloys;
- dimensional stability, characteristic of the resins becoming irreversibly insoluble and infusible after catalysis;
- abrasive and wear resistance;
- light weight;
- resistance to flame propagation in case of fire.

Capacity: up to 1280 l/min

Connexions: 3" - 4"

Materials:



(PTFE diaphragms)



(NBR, EPDM, SANTOPRENE diaphragms)

DISTRIBUTION SYSTEM ONLY ADVANTAGEOUS!

- **simple and maintenance free 5-component construction,**
- material of construction resistant to wear and chemicals for longer lifetime without damage,
- affordable cost,
- High-shift speed and high-discharge speed of the exhaust air,
- low consumption as consequence of the fine tuned air quantity supplied to the diaphragms

PROGRESS VALVE AIR CONSUMPTION REDUCTION

Argal designed a special adaptive air distributor to turn on and off the pump and to fine tune the air flow consumption to the liquid pumped and the required performance with a real reduction of consumption and operational cost.

5 VERSIONS OF CONSTRUCTION

- **VIG** - for general use
- **VIA** - for abrasive fluids
- **VIC** - for liquids with chloride
- **VIF** - for liquids with fluorine
- **VIX** - for ATEX areas

APPLICATIONS FOR SEAWATER AND CORROSIVE FLUIDS

- **Desalination**
- **Water and wastewater treatments**
- **Aquarium**
- **Seawater applications**

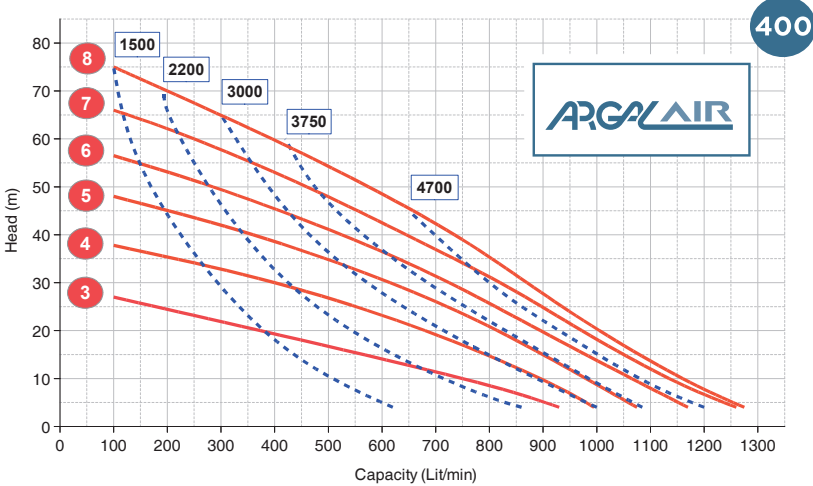
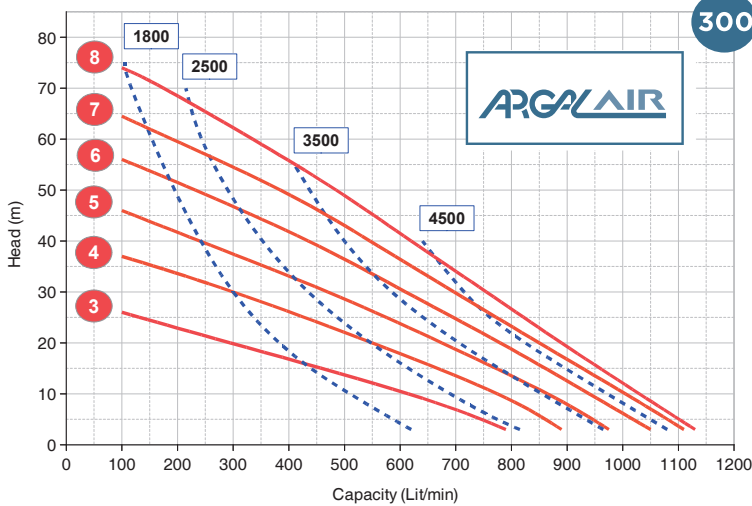


FREE ICE FORMATION SYSTEM AN INNOVATIVE PLUS

The materials used, the switching speed and the distribution spool shift speed all highly **resist to the formation of ice** that detaches itself from the surface to get then ejected from the discharge tube. Possible remaining will never affect the pump operation.

bar Air Pressure main supply

lit/min Air consumption



COMPOSITION AIRSATURN 3"

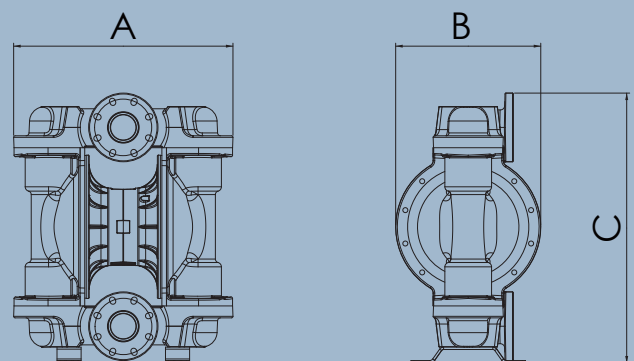
Wetted parts	• FRP
Diaphragms	• EPDM • NBR • EPDM+PTFE • NBR+PTFE
Valve Balls	• EPDM • NBR • PTFE • AISI 316L • FRP
Valve Seats	• POLYURETHANE • UPPE • PVDF • AISI 316L
Gaskets	• EPDM • NBR • FKM • FEP

COMPOSITION AIRSATURN 4"

Wetted parts	• FRP
Diaphragms	• EPDM • NBR • EPDM+PTFE • NBR+PTFE
Valve Balls	• EPDM • NBR • PTFE • AISI 316L • FRP
Valve Seats	• POLYURETHANE • UPPE • PVDF • AISI 316L
Gaskets	• EPDM • NBR • FKM • FEP

TECHNICAL DATA	300 (3")	400 (4")
Maximum Capacity Litres/Minute	1100	1280
Materials of Pump Housings & Central Block	FRP	FRP
Fluid Port (ISO-ANSI Flange) Intake & Discharge Connections	3" DN80	4" DN100
Air Inlet	¾" F NPT	¾" F NPT
Air Exhaust (included silencer)	1" F NPT	1" F NPT
Maximum Working Pressure	8 bar	8 bar
Maximum Cycles per Minutes	96	96
Max. Discharge Volume/Cycles	8,5 litri	8,5 litri
Maximum Solids Particle Size	11 mm	13 mm
Suction Lift (dry)	6 m	4,5 m

DIMENSIONS (mm)	300 (3")	400 (4")
A	662	728
B	436	482
C	803	904



FOLLOW US ON



ARGAL srl
Via Labirinto, 159 - 25125 BRESCIA - (Italy)
Tel. +39 030 3507011 - fax +39 030 3507077
info@argal.it - www.argalpumps.com

cod. 01.2018 - EN