



# #BIGAODDPUMPS

# MISTRAL<sub>SOLID</sub>

300



**MISTRAL** range represents the safest and most efficient solution for heavy dangerous and even explosive applications but also for process applications.

**The MISTRALsolid (more than 1.000.000 molecules) offers excellent mechanical properties and low friction coefficient. It represents the ideal solution for highly abrasive or wear applications.**

The very first **MISTRALsolid** sold was for environmental recovery operations with the presence of sulfuric acid and aluminum fluoride.

**Capacity:** up to 1100 l/min

**Connexions:** 3"

**Materials:**



(PTFE diaphragms)



(NBR, EPDM, SANTOPRENE diaphragms)



II 2/2 GD cIIB T4

## DISTRIBUTION SYSTEM

ONLY ADVANTAGEOUS!

- **simple and maintenance free 5-component construction,**
- material of construction resistant to wear and chemicals for longer lifetime without damage,
- affordable cost,
- High-shift speed and high-discharge speed of the exhaust air,
- low consumption as consequence of the fine tuned air quantity supplied to the diaphragms

## PROGRESS VALVE

AIR CONSUMPTION REDUCTION

Argal designed a special adaptive air distributor to turn on and off the pump and to fine tune the air flow consumption to the liquid pumped and the required performance with a real reduction of consumption and operational cost.

## APPLICATIONS

FOR HIGHLY ABRASIVE FLUIDS

- **Chemical processes**
- **Wastewater treatments**
- **Metal processes**
- **Power plants**
- **Mineral processes**



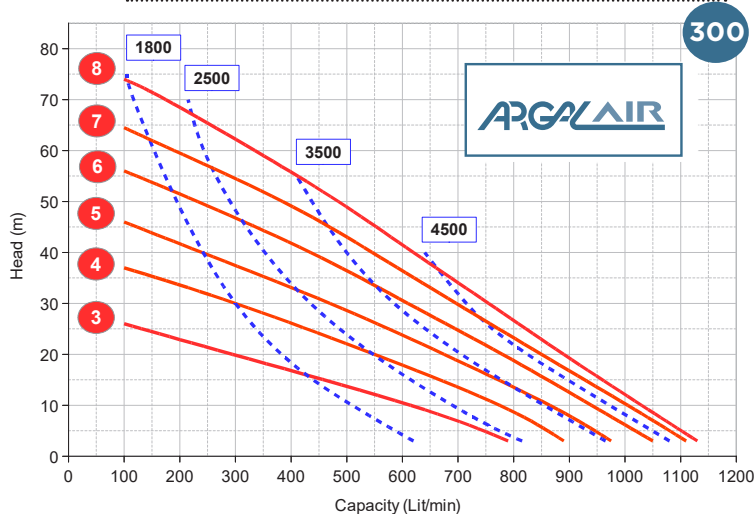
Center block

## FREE ICE FORMATION SYSTEM

AN INNOVATIVE PLUS

The materials used, the switching speed and the distribution spool shift speed all highly **resist to the formation of ice** that detaches itself from the surface to get then ejected from the discharge tube. Possible remaining will never affect the pump operation.

bar Air Pressure main supply NI/min Air consumption

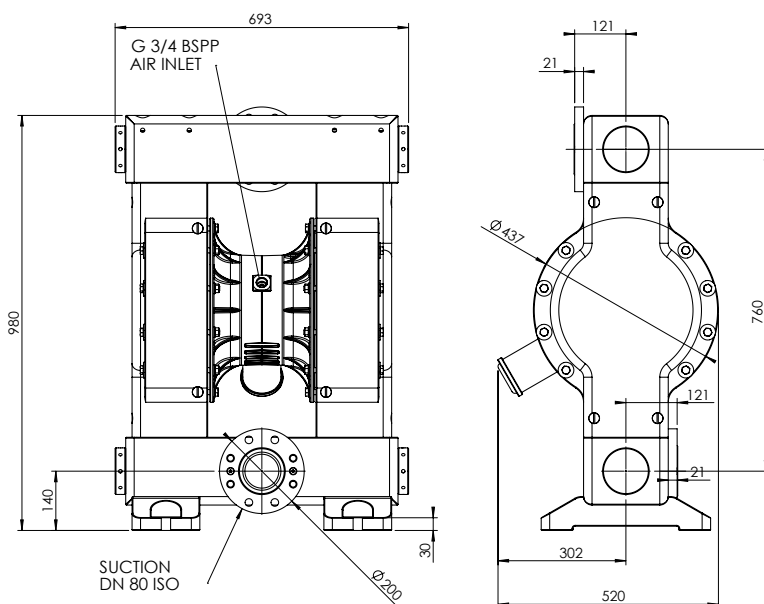


COMPOSITION MISTRALsolid 3"	
<b>Wetted parts</b>	• UPPE
<b>Diaphragms</b>	• EPDM • NBR • EPDM+PTFE • NBR+PTFE
<b>Valve Balls</b>	• EPDM • NBR • PTFE • AISI 316L • FRP
<b>Valve Seats</b>	• POLYURETHANE • UPPE • PVDF • AISI 316L
<b>Gaskets</b>	• EPDM • NBR • FKM • FEP

TECHNICAL DATA	300 (3")
<b>Maximum Capacity Litres/Minute</b>	1100
<b>Materials of Pump Housings &amp; Central Block</b>	UPPE
<b>Fluid Port (ISO-ANSI Flange) Intake &amp; Discharge Connections</b>	3" DN80
<b>Air Inlet</b>	3/4" F NPT
<b>Air Exhaust (included silencer)</b>	1" F NPT
<b>Maximum Working Pressure</b>	8 bar
<b>Maximum Cycles per Minutes</b>	96
<b>Max. Discharge Volume/Cycles</b>	8,5 litri
<b>Maximum Solids Particle Size</b>	11 mm
<b>Suction Lift (dry)</b>	6 m



DIMENSIONS	300 (3")
<b>A</b>	693
<b>C</b>	980
<b>M</b>	520



FOLLOW US ON



**ARGAL srl**  
Via Labirinto, 159 - 25125 BRESCIA - (Italy)  
Tel. +39 030 3507011 - fax +39 030 3507077  
argal@argal.it - [www.argalpumps.com](http://www.argalpumps.com)

cod. 01.2018 - EN